

# Suction Cups for High-Temperature Applications

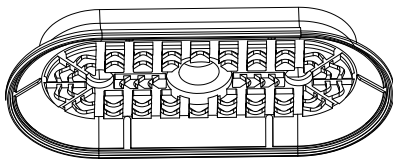
Flat Suction Cup MAOF HT2 (Oval)

Suction area (LxW) 60 x 23 mm to 100 x 50 mm

Flat Suction Cup MAOF HT2 (Oval)



System design flat suction cups MAOF HT2 (Oval)



## Introduction and application

- ◆ Oval flat suction cup for dynamic handling of hot metal sheets up to 250° C
- ◆ Unloading e.g. of elongated workpieces after forming
- ◆ Handling of thin aluminum sheets without deformation or deep drawing
- ◆ For use e.g. in feeder systems for press lines in the automotive industry

## Design

- ◆ Robust, wear-resistant oval flat suction cup SAOF made of HT2 with single sealing lip and inner support
- ◆ Connection nipple glued to the reinforcing element of the suction cup (very high strength)

## Ordering Guide Flat Suction Cups MAOF HT2 (Oval)

Item no.	Suction area $\phi$ [mm]	Material and Shore hardness	Connection thread
MAOF-HT2	60x23 to 100x50	HT2-65	G1/4-IG G1/4-AG G3/8-IG

Note: MAOF HT2 AG=external thread (M) IG=internal thread (F)

## Ordering Data Flat Suction Cups MAOF HT2 (Oval)

Type	Dimensions		
	G1/4"-M	G1/4"-F	G3/8"-F
MAOF 60x23 HT2-65	90.02.01.00597	90.02.01.00601	90.02.01.00605
MAOF 80x40 HT2-65	90.02.01.00598	90.02.01.00602	90.02.01.00606
MAOF 90x30 HT2-65	90.02.01.00599	90.02.01.00603	90.02.01.00607
MAOF 100x50 HT2-65	90.02.01.00600	90.02.01.00604	90.02.01.00608

Combined Suction Cups

Vacuum Suction Cups

Composite Suction Cups

Special Grippers

Vacuum Gripping Systems

Mounting Elements

Vacuum Generators

Valve Technology

Switch And Monitoring

Vacuum Filters

# Suction Cups for High-Temperature Applications



Flat Suction Cup MAOF HT2 (Oval)

Suction area (LxW) 60 x 23 mm to 100 x 50 mm

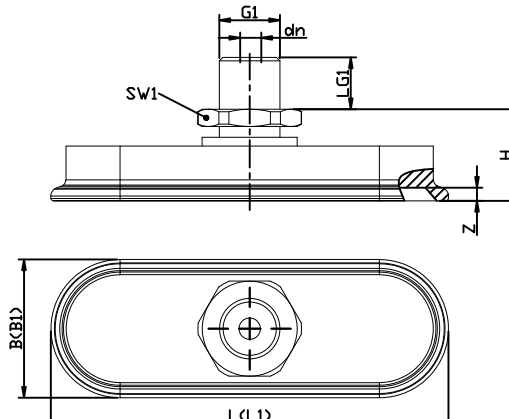
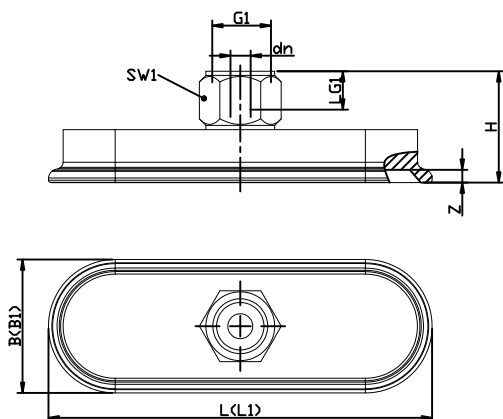
## Technical Data Flat Suction Cups MAOF HT2 (Oval)

Type	Suction force [N]	Lateral force [N]	Volume [cm <sup>3</sup> ]	Min. curve radius [mm](convex)	Recom.internal hose diameter d[mm]
MAOF 60x23 HT2-65	57	36	3.0	20	4
MAOF 80x40 HT2-65	140	108	10.7	50	4
MAOF 90x30 HT2-65	122	94	7.0	40	4
MAOF 100x50 HT2-65	217	177	20.0	75	6

## Design Data Flat Suction Cups MAOF HT2 (Oval)

MAOF HT2 60x23 to 100x50 IG

MAOF HT2 60x23 to 100x50 AG



Type	Dimensions[mm]									
	Bmax(s)	Bs	dn	G1	H	LG1	Lmax(s)	Ls	SW1	Z (Stroke)
MAOF 60x23 HT2-65 G1/4-AG	25	21.6	5	G1/4"-M	18	8	64	60.6	17	3
MAOF 60x23 HT2-65 G1/4-IG	25	21.6	6	G1/4"-F	26	8	64	60.6	17	3
MAOF 60x23 HT2-65 G3/8-IG	25	21.6	6	G3/8"-F	26	8	64	60.6	22	3
MAOF 80x40 HT2-65 G1/4-AG	43	38.6	5	G1/4"-M	20	8	85	80.6	17	4
MAOF 80x40 HT2-65 G1/4-IG	43	38.6	6	G1/4"-F	28	8	85	80.6	17	4
MAOF 80x40 HT2-65 G3/8-IG	43	38.6	6	G3/8"-F	28	9	85	80.6	22	4
MAOF 90x30 HT2-65 G1/4-AG	34	30.6	5	G1/4"-M	19	8	94	90.6	17	3
MAOF 90x30 HT2-65 G1/4-IG	34	30.6	6	G1/4"-F	26	8	94	90.6	17	3
MAOF 90x30 HT2-65 G3/8-IG	34	30.6	6	G3/8"-F	27	9	94	90.6	22	3
MAOF 100x50 HT2-65 G1/4-AG	54	48.1	6	G1/4"-M	22	8	106	101.1	17	5
MAOF 100x50 HT2-65 G1/4-IG	54	48.1	8	G1/4"-F	30	8	106	101.1	17	5
MAOF 100x50 HT2-65 G3/8-IG	54	48.1	8	G3/8"-F	31	9	106	101.1	22	5